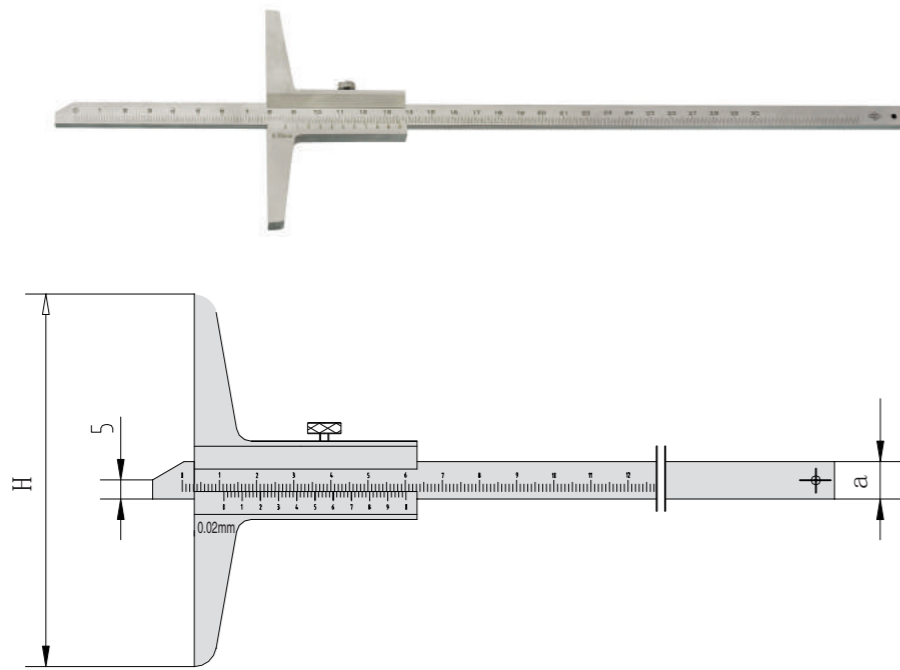


### 深度游标卡尺606 Depth Vernier Gauges 606

- 采用优质碳素工具钢制造
- 尺身尾部带限位螺钉，使用中主尺不会脱出
- 用于测量深度，台阶等
- 符合GB标准。
- Made of carbon steel.
- With limit screw to prevent the slider from pulling out.
- The depth vernier gauges can be used to measure depth and step.
- Meet GB standards.



mm

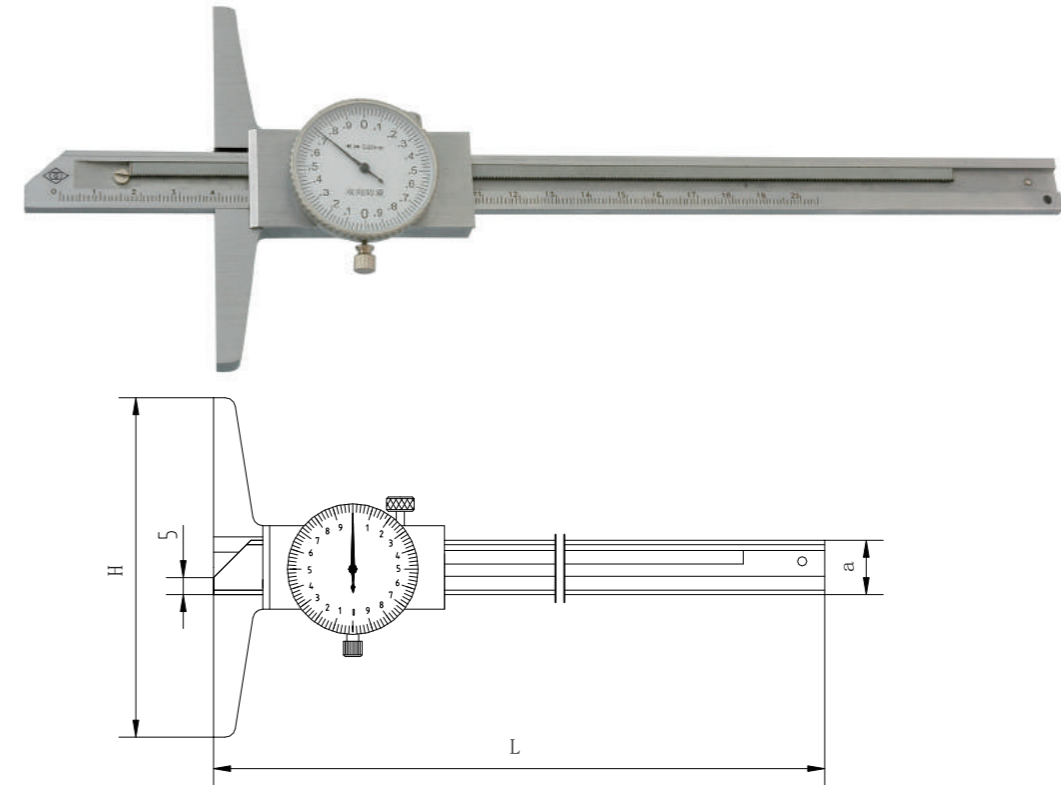
编号 Item No.	测量范围 Measuring range	分度值 Graduation	示值误差 Indication Error	H	a	备注 Remarks
606-01	0-200	0.02	± 0.03	100	10	
606-03	0-300		± 0.04			
606-05	0-500		± 0.05			
606-07	0-1000		± 0.07			
606-09	0-1500		± 0.11	300	28	★ ▲

注：★为特殊订货  
▲为企业标准

Note: ★For a special order  
▲For enterprise standards

### 带表深度卡尺616 Dial Depth Gauges 616

- 采用优质碳素工具钢制造
- 用于测量盲孔或凹槽深度及台阶高度
- 主尺、尺框刻线面无光镀铬
- 读数直观
- 符合GB标准。
- Made of carbon steel.
- Used for measuring blind hole or groove depth and bench height
- The main scale and the vernier are satin chromed.
- Easy to read.
- Meet GB standards.



mm

编号 Item No.	测量范围 Measuring range	分度值 Graduation	示值误差 Indication Error	L	H	a	备注 Remarks
616-01	0-200	0.02	± 0.03	285	100	16	
616-02	0-300		± 0.04	385	100	16	